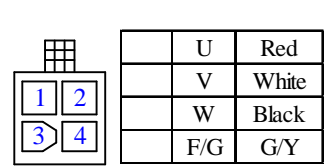
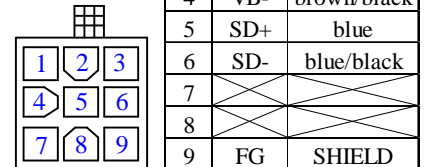


Model: JSMA-PBC04AWK									
No.	Item	Symbol	Unit	Specification	No.	Item	Symbol	Unit	Specification
1	Drive	-	-	3 220VAC	13	Rotor Inertia	J-M	kg-c	0.67±10%
2	Cooling Method	-	-	Totally Enclosed	14	Rated Power Rate	Q-R	Kw/s	24.07
3	Exciting Method	-	-	Permanent Magnet	15	Resistance	Ra		3.15±10%/2
4	Resolution	-	-	23 bit-ABS	16	Inductance	L	mH	11±10% / 2
5	Rated Output	P-R	W	400	17	Mech. Time Constant	Tm	ms	1.24±10%
6	Rated Torque	T-R	N-m	1.27	18	Elect. Time Constant	Te	ms	3.49±10%
7	Max. Torque	T-max	N-m	3.81	19	Insulation Class	-	-	Class F
8	Rated Speed	N-R	rpm	3000	20	Operation Temp.	T	C	0~40
9	Rated Current	I-R	A	2.6	21	Operation Humd.	RH	%	<80
10	Max. Current	I-max	A	8.1	22	Storage Temp.	T	C	-20 ~60
11	Torque Constant	Kt	N-m/A	0.47	23	Storage Humd.	RH	%	<80
12	Voltage constant	Ke	V/Krpm	32.78±10%	24	Weight	W	kgw	1.53



Motor Wiring



Encoder Wiring

- Notes:
- Motor to be IP67 (excluding the shaft opening & connectors)
  - Encoder shield wire to be grounded to the motor.

**AC SERVO MOTOR**

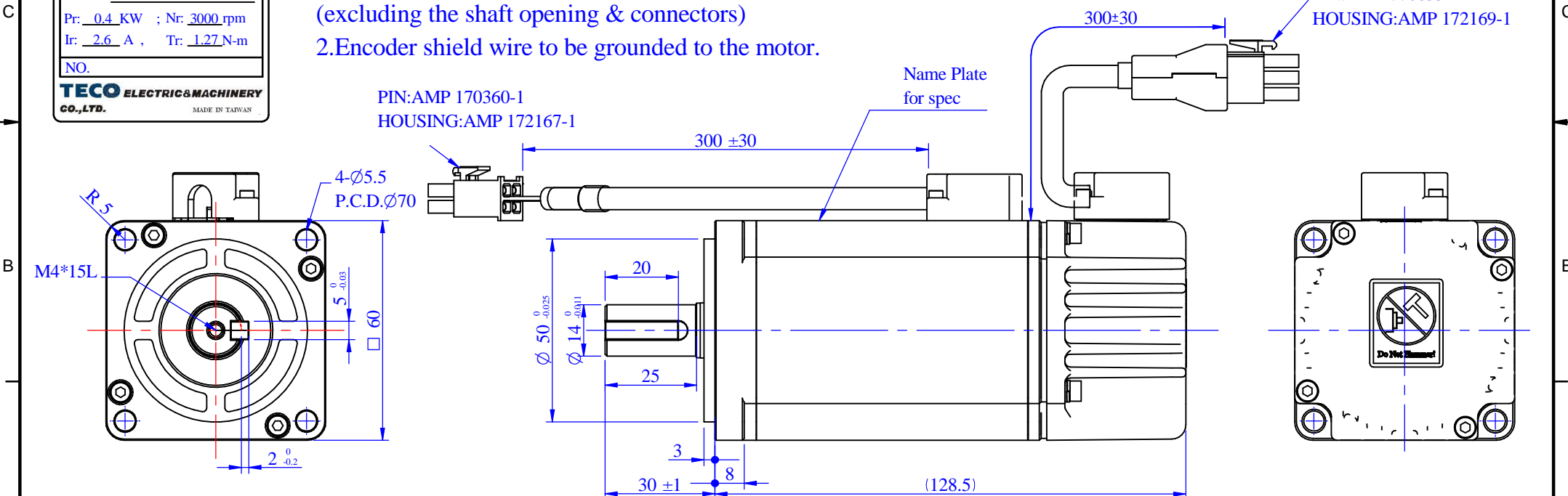
Model: JSMA-PBC04AWK

Pr: 0.4 KW ; Nr: 3000 rpm

Ir: 2.6 A , Tr: 1.27 N-m

NO. \_\_\_\_\_

**TECO ELECTRIC & MACHINERY CO., LTD.**  
MADE IN TAIWAN



STANDARD TOLERANCE					APVD		SCALE	2/3	UNIT	m m	NAME	SERVO MOTOR OUTLINE DRAWING	
X	±0.5				CHKD						TITLE	JSMA-PBC04AWK	
.X	±0.2				CHKD		3RD .A.P						
.XX	±0.05				DWN	Leon							
ANGLE	±30'					03-11-'16							
MATERIAL		REV	DESCRIPTION	SIGNATURE	DATE	SIGNATURE	DATE	TECO ELECTRO DEVICES CO., LTD.		Dept. Design	DWG.NO.	D01E06401C3NR3D01	